

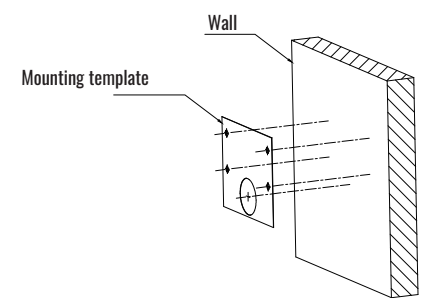


# PTZ Camera

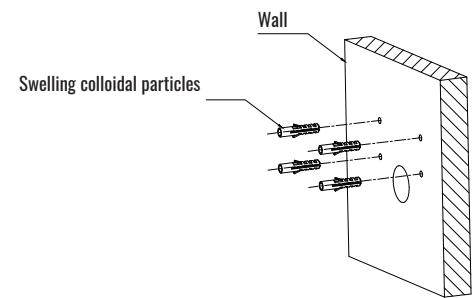
## Quick installation guide

### 1. Installation

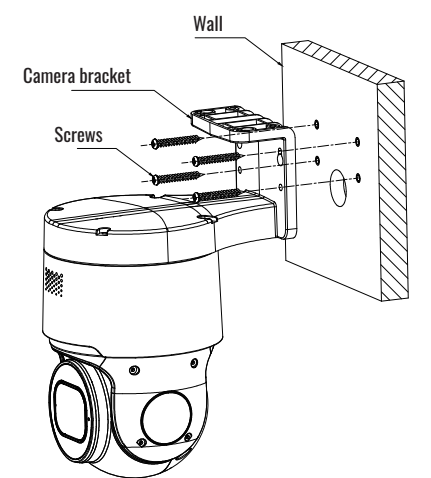
#### Wall Mount



Step 1: Stick the mounting template to the wall, drill 4 screw holes and 1 tail cable hole.

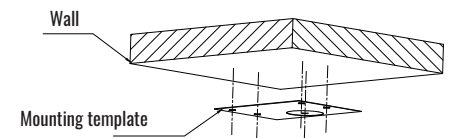


Step 2: Hammer the 4 swelling colloidal particles into the drilled wall holes.

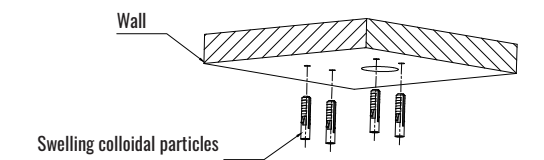


Step 3: Align the camera bracket with the 4 swelling colloidal particles screw holes, and lock the screws to fix it

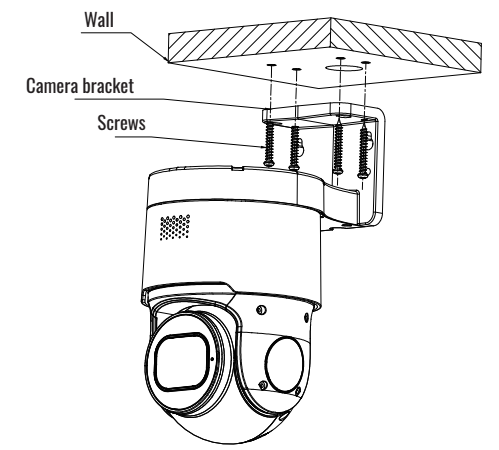
#### Ceiling Mount



Step 1: Stick the mounting template to the wall, drill 4 screw holes and 1 tail cable hole.

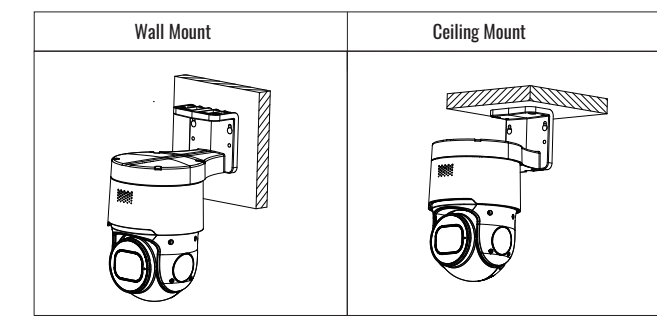


Step 2: Hammer the 4 swelling colloidal particles into the drilled wall holes.

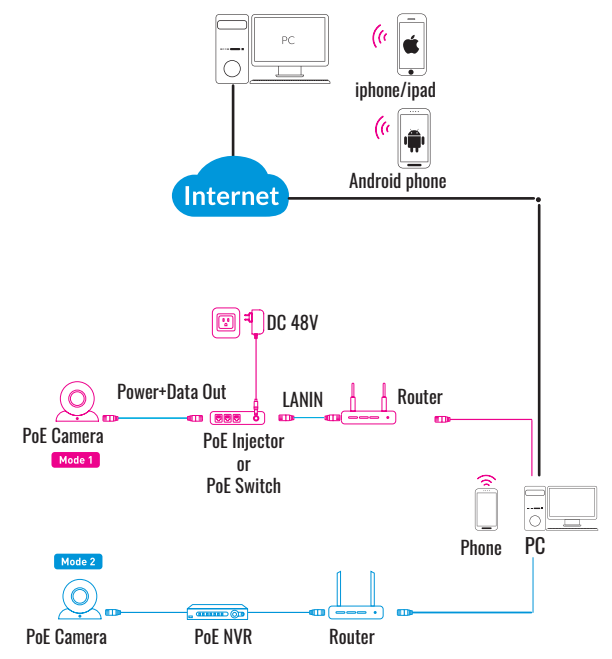


Step 3: Align the camera bracket with the 4 swelling colloidal particles screw holes, and lock the screws to fix it.

#### Installation method



### 2. Camera Connection Diagram



- ▲ Attention: There are two connection modes:
1. For non-PoE router, pls connect the camera by a PoE switch or a PoE injector.
  2. For a POE NVR, pls connect the camera directly to the POE NVR, then follow the below steps.

