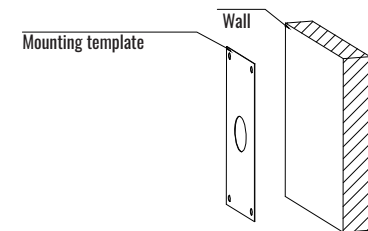




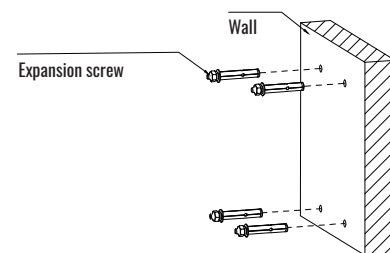
PTZ Camera

Quick installation guide

1. Installation

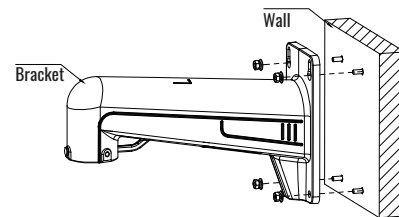


Step 1: Stick the mounting template to the wall, drill 4 expansion screw holes.

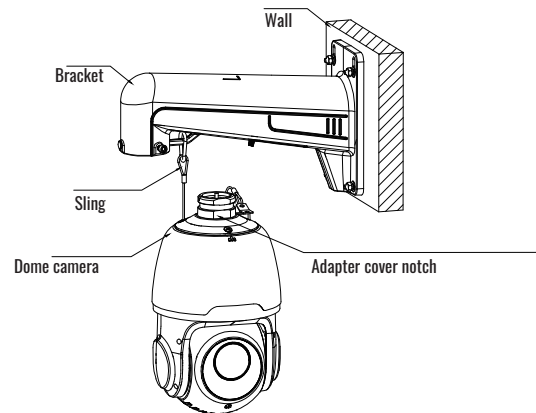


Step 2: Hammer the 4 expansion screws into the drilled wall holes.

01

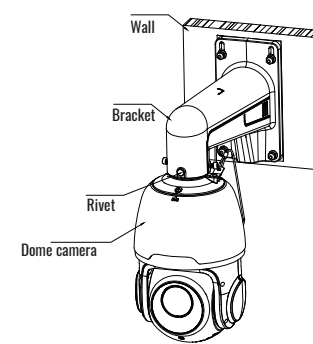


Step 3: Align the 4 expansion screws with the holes of the bracket, install the gasket and the spring washer, then lock the 4 nuts.

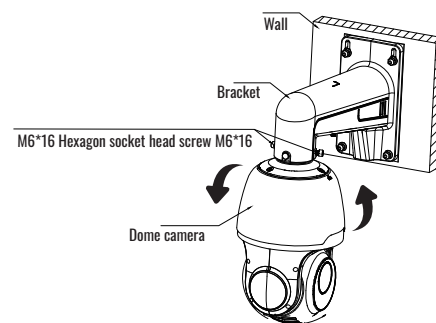


Step 4: Fasten the anti-dropping rope of the locked dome camera into the suspending rope loop of the bracket.

02



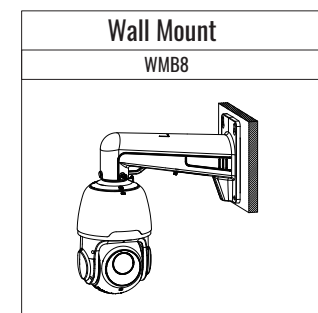
Step 5: After the tail cable of the dome camera passes through the bracket, align the notch of the adapter cover with the rivet position of the bracket and insert it into the bracket hole.



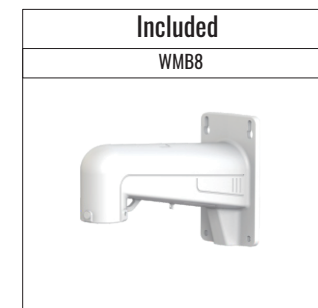
Step 6: After rotating the dome camera to the proper position, tighten the 2 socket head cap screws M6*16 on the bracket.

03

Installation method

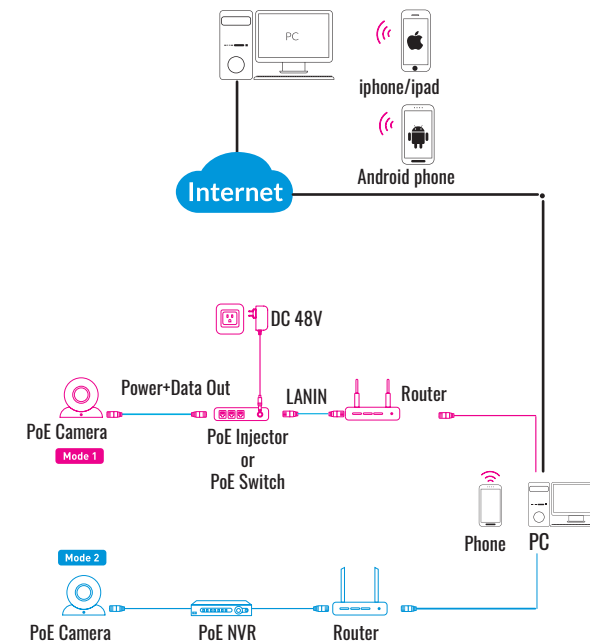


Accessories



04

2.Camera Connection Diagram



- ▲ Attention: There are two connection modes:
1. For non-PoE router, pls connect the camera by a PoE switch or a PoE injector.
 2. For a POE NVR, pls connect the camera directly to the POE NVR, then follow the below steps.

05

