

# WIRELESS HaLow WIFI KIT



Introducing the WiFi HALOW Kit **KITWLHL4K-08**, your all-in-one solution for advanced security. This comprehensive kit includes four B2F28WL-8MP wireless cameras for crystal-clear 8MP 4K resolution footage. The kit also features a GSD-NVRWL4K-08 wireless NVR for seamless video storage on its included 2TB HDD. With a range of cutting-edge features such as deterrence capabilities with a built-in siren, a robust 400-meter HALOW WiFi range, two-way communication via microphone and speaker, PIR technology for precise motion detection, and battery backup for uninterrupted functionality, this kit ensures comprehensive security coverage.



8MP 4K RESOLUTION



ZOOM WIFI TRANSMISSION DISTANCE



DETERRENCE & SIREN



TWO-WAY COMMUNICATION



400 METER HALOW WIFI



PIR TECHNOLOGY



MICROPHONE & SPEAKER



BATTERY BACKUP INCLUDED

# WIRELESS HaLow WIFI KIT

## NETWORK VIDEO RECORDER

VIDEO	
RESOLUTION	3840*2160 (8MP)
INPUTS	8CH (WiFi 802.11ah)
LIVE	
RESOLUTION	3840*2160 (8MP)
FRAME	4K UHD@15fps(Auto fps, Adaptive bitrate)
MULTI SCREEN DISPLAY	1 / 4 / 9
RECORDING	
COMPRESSION	Video : H.265, Audio: G.726
FRAME RATE	4K UHD@15fps(Auto fps, Adaptive bitrate)
EVENT TYPE	Motion/Human Detection, MD + PIR (Sensitivity Level 1-6), HDD (Full, Failure)
HDD FULL EVENT	Email, Push notification to Mobile APP
NETWORK	
TRANSMISSION BANDWIDTH	Max Up to 32Mbps
PROTOCOL SUPPORT	TCP/IP, UDP/IP, RTP(UDP), RTP(TCP), RTSP, NTP, HTTP, DHCP, SMTP, DNS, DDNS
LED	Power : BLUE / Record : RED
STORAGE	
INTERNAL SD CARD SLOT	Yes
INTERNAL HDD	HDD*1 (Ma x 6TB) (Not Included)
USB (BACK-UP)	Yes
FILE FORMAT (BACK-UP)	AVI, RF, MP4
INTERFACE	
HDMI	HDMI*1 (1280*1024, 1280*720, 1920*1080, 2560*1440, 3840*2160) EDID (monitor resolution auto detection)
ETHERNET	1 RJ45 10/100 Base-T
USB	USB2.0 * 2 (for mouse and backup/upgrade)
APPLICATION SUPPORT	USB Mouse
GENERAL	
OSD LANGUAGE	Multiple / Default English
DESIGN	White / Metal
DIMENSION (WXDXH)	300* 227mm * 53mm
INPUT VOLTAGE/CURRENT	DC12V/2A
POWER CONSUMPTION	TBD
OPERATING TEMPERATURE/HUMIDITY	Temperature : 0°C~+40°C (32°F - 104°F)   Humidity : 20% - 85%RH

1X #GSD-NVRWL4K-08

## WIFI CAMERA

DESIGN	
SENSOR	8MP
EFFECTIVE PIXELS	3840*2160 (16:9) 1/2.7"
RESOLUTION	3840*2160 (8MP)
MIN. ILLUMINATION	0Lux (IR LED ON)
WIFI TRANSMISSION DISTANCE	Max 700M (Empty No interference distance)
PIR	YES
FOCAL LENGTH	2.8mm
F NO.	F1.6
ANGULAR FIELD OF VIEW	H:111° V:59° D:134°
SHUTTER MODE	Auto
GAIN CONTROL	Auto
WHITE BALANCE	Auto
WIDE DYNAMIC RANGE	N/A
DIGITAL NOISE REDUCTION	3DNR
DAY & NIGHT	TRUE D/N, Auto
NIGHT DISTANCE	Up to 15M
WHITE LED DISTANCE	Up to 15M
PIR DISTANCE	120°, 35ft(10M)
INGRESS PROTECTION	IP66
INPUT VOLTAGE	DC5V
POWER CONSUMPTION	TBD
MECHANICAL DESIGN	White / Metal
MIC	YES
SPEAKER	YES
SD CARD SLOT	Internal SD card slot
OPERATING TEMPERATURE / HUMIDITY	-20°C ~ +50°C / Less than 90% RH Startup : -10°C ~ +50°C

4X #B2F28WL-8MP



4X #BAT-WLFNC

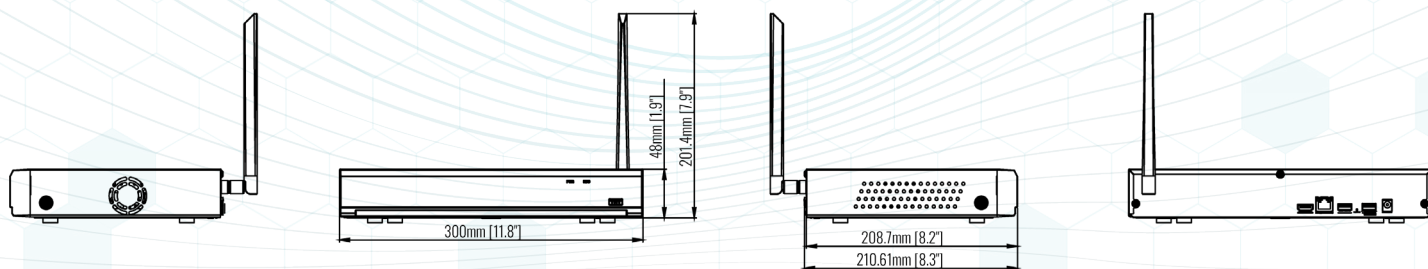
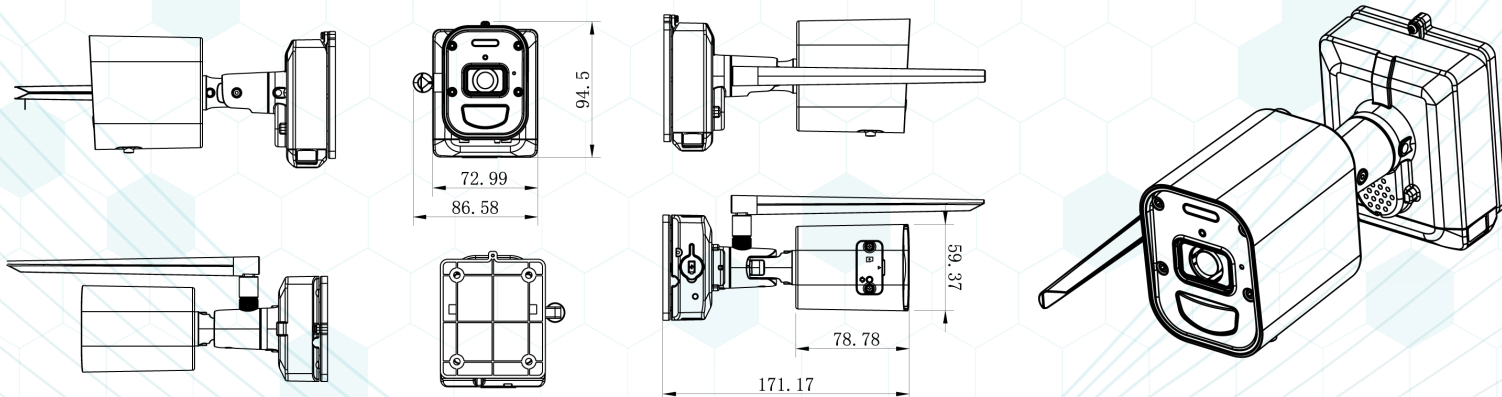


1X 2TB HDD



# WIRELESS HaLow WIFI KIT

## DIMENSIONS



## ACCESSORIES



**BAT-WLFNC**  
BATTERY



**SOL-12V**  
SOLAR PANEL



**PWR-WL5V-2A**  
POWER CABLE

2024 Global Surveillance Development, GSD Group and GSD are registered trademarks of Global Surveillance Development Group, Inc. in Canada and / or other countries. We reserve the right to change the design and specifications of the product Without notice and without incurring any obligation.